

SHISHAM PRODUCTS

23 Attenborough St, Dandenong Vic 3175
Tel: (03) 9791 4622 Fax: (03) 97924854

Data Sheet

Jumbo & Super Jumbo Extension & Load Information

Jumbo & Super Jumbo Prop Type Only:

If you require to operate these props to additional length outside our prop length range, this is possible but new loads apply and new procedures are required.

Please refer to the table and diagram below for details of additional prop length load rating and method for achieving these loads:

Model	Closed Position	Middle Position	Fully Extended	Additional Extension*
Jumbo™	6.4 metres 30kN	8.5 metres 25kN	11.5 metres 20kN	12.1 metres 10kN*
Super Jumbo™	8.5 metres 26kN	11.5 metres 18kN	14.5 metres 12kN	15.1 metres 6kN*

Table 1: Additional Extension Lengths & Load Ratings

* The following conditions **MUST** be adhered to if using these props at the additional extension:

1. A Knee Brace Bracket must be used in conjunction with a knee brace to support the prop to prevent vertical movement;
2. A Lateral Brace Bracket must be used in conjunction with a lateral brace to support the props to prevent sideways movement.

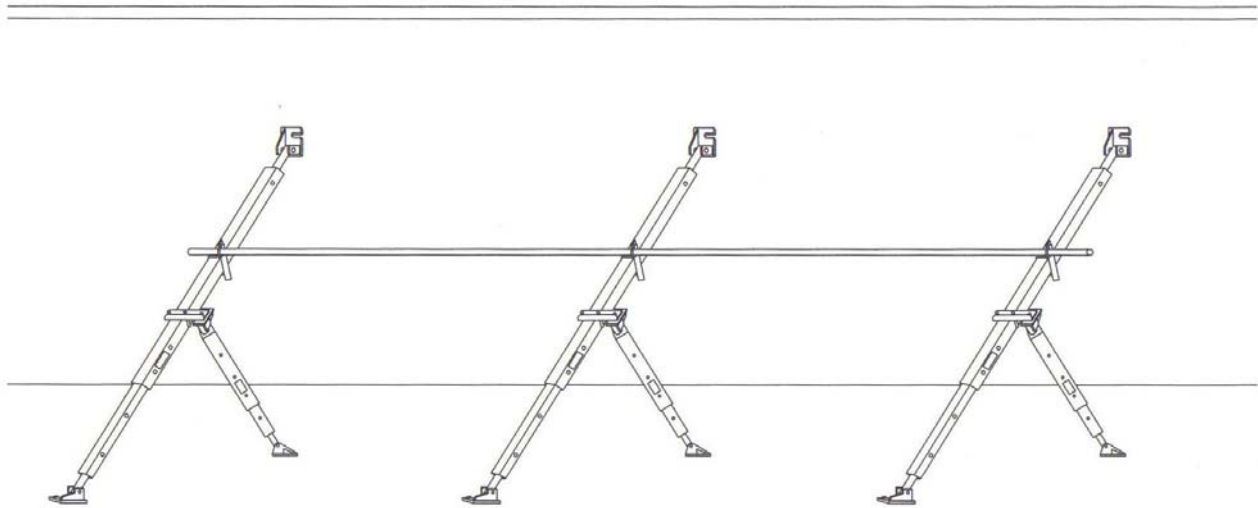


Diagram 1: Correct Prop setup with Knee & Lateral Bracing

Please contact us for any further enquiries regarding the above.